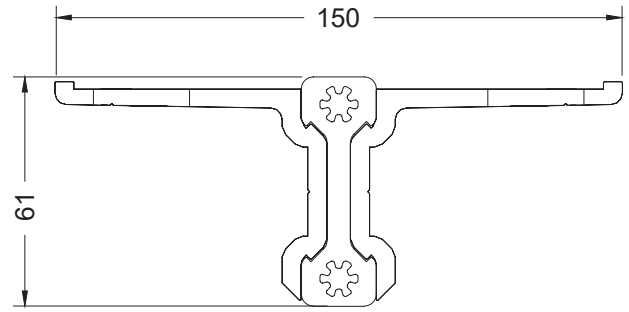


\*OTHER HANDRAILS AVAILABLE SEE FOLLOWING PAGES\*

DETAIL A  
VIEW 1:2

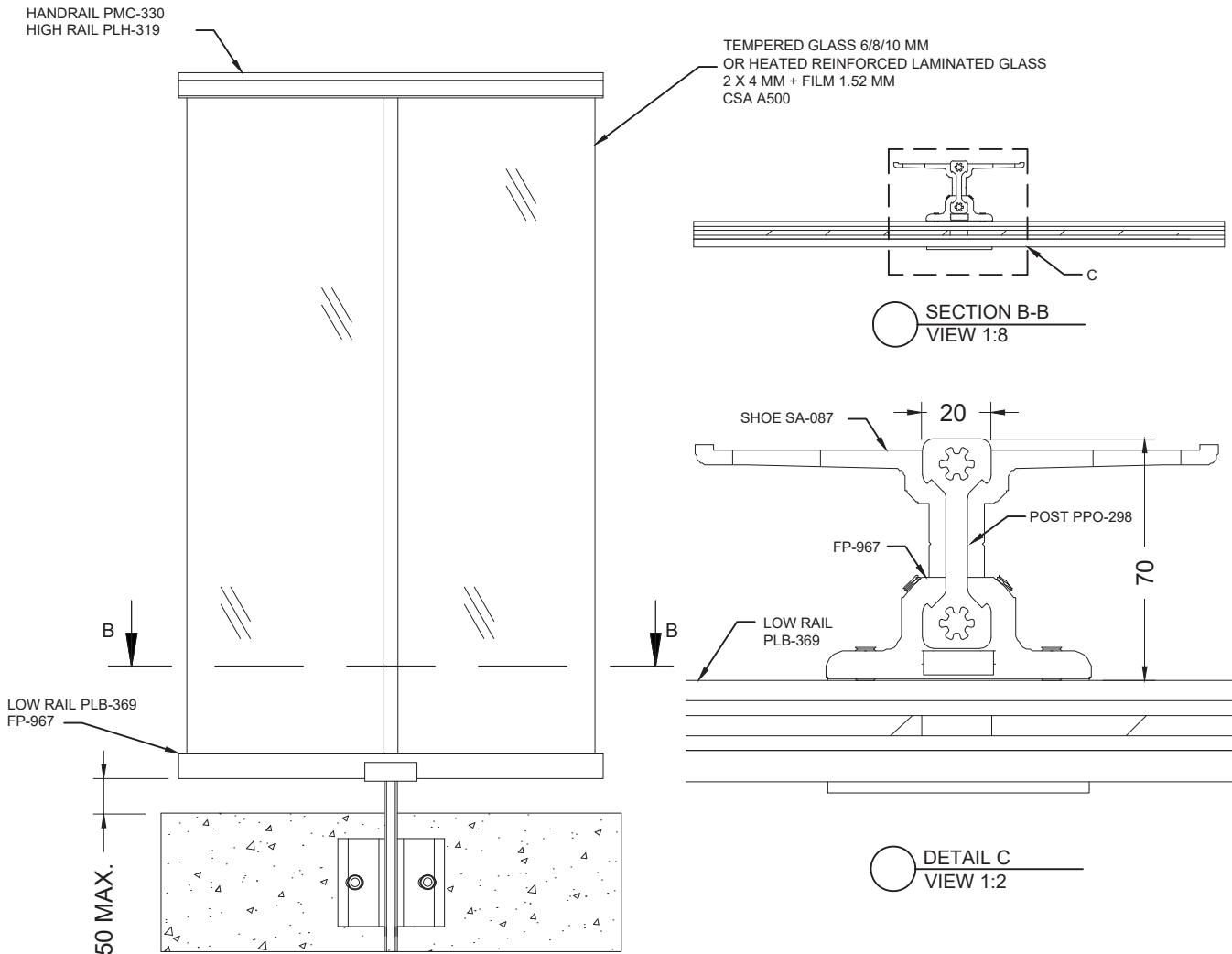


DETAIL SA-087  
VIEW 1:2

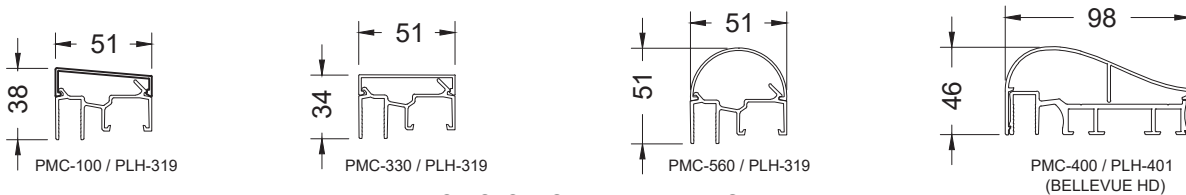
**EXTERIOR GLASS CONFIGURATION**

**BELLEVUE MODEL - OPENWORK SLAB FRONT - (GLASS ON SLAB)**

Scale : 1:8



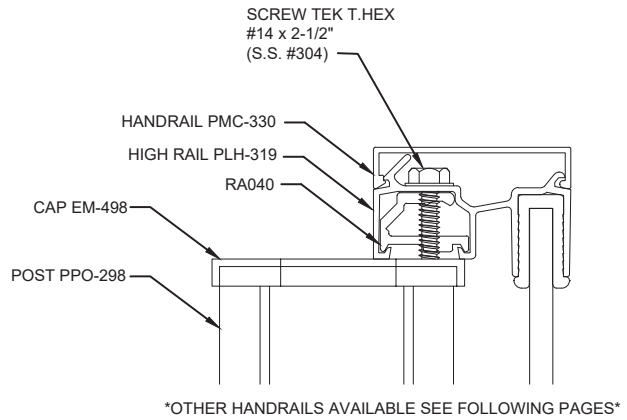
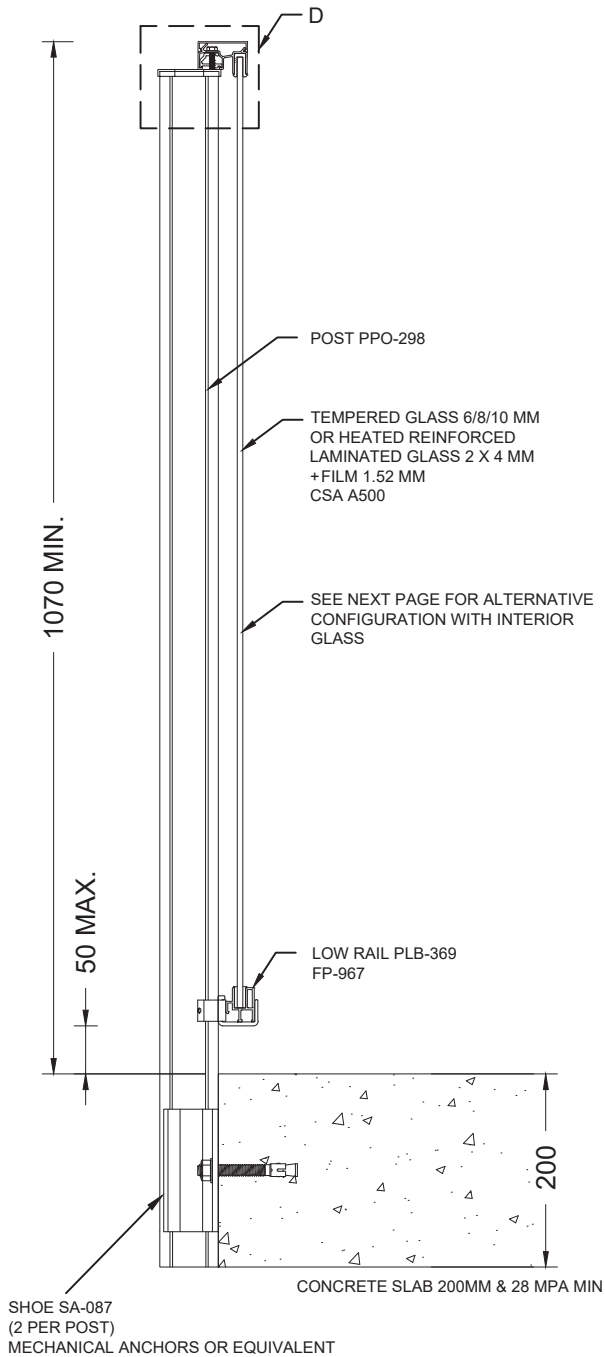
**EXTERIOR GLASS CONFIGURATION**



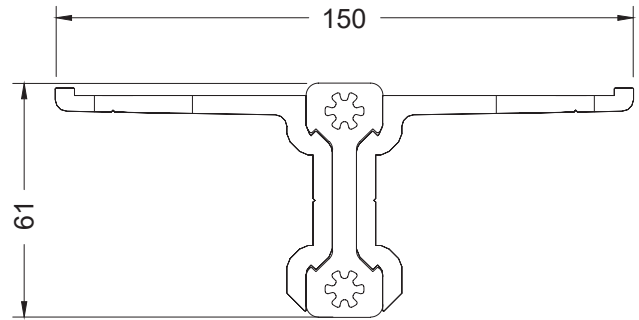
**CHOICE OF HANDRAILS**

**BELLEVUE MODEL - OPENWORK SLAB FRONT - (GLASS ON SLAB)**

Scale : 1:10



DETAIL D  
VIEW 1:2



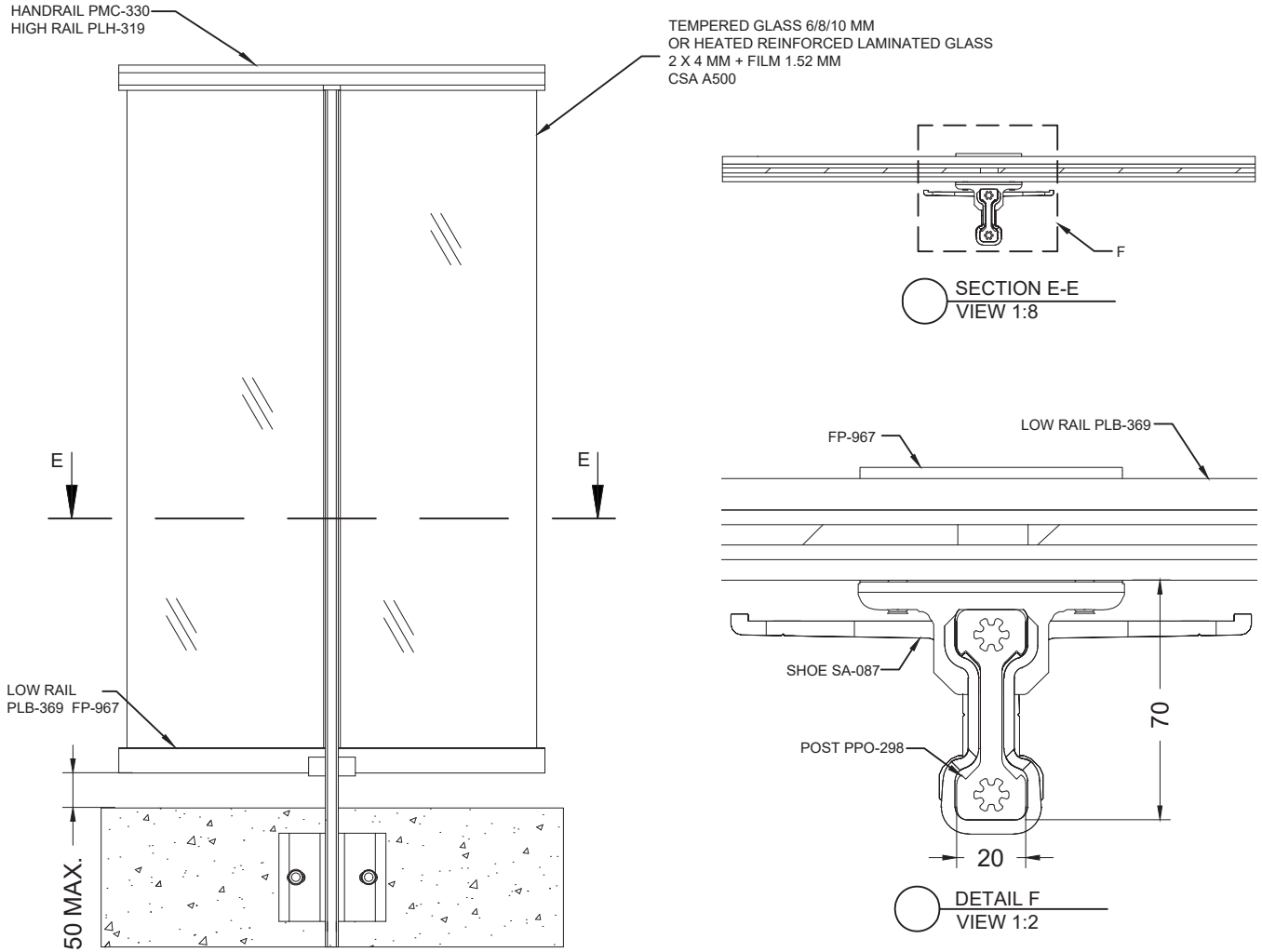
DETAIL SA-087  
VIEW 1:2

SECTION A

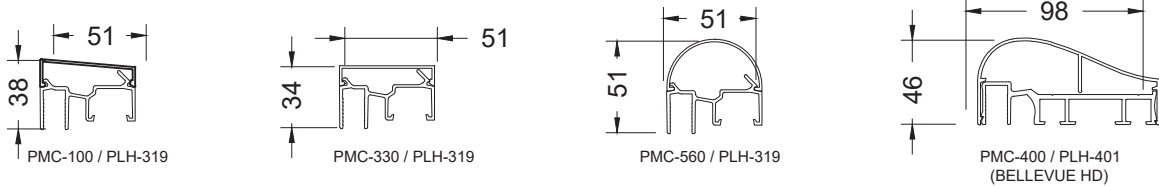
INTERIOR GLASS INTERIOR

BELLEVUE MODEL - OPENWORK SLAB FRONT - (GLASS ON SLAB)

Scale : 1:8



### INTERIOR GLASS CONFIGURATION



### CHOICE OF HANDRAILS

### BELLEVUE MODEL - OPENWORK SLAB FRONT - (GLASS ON SLAB)

Scale : 1:10