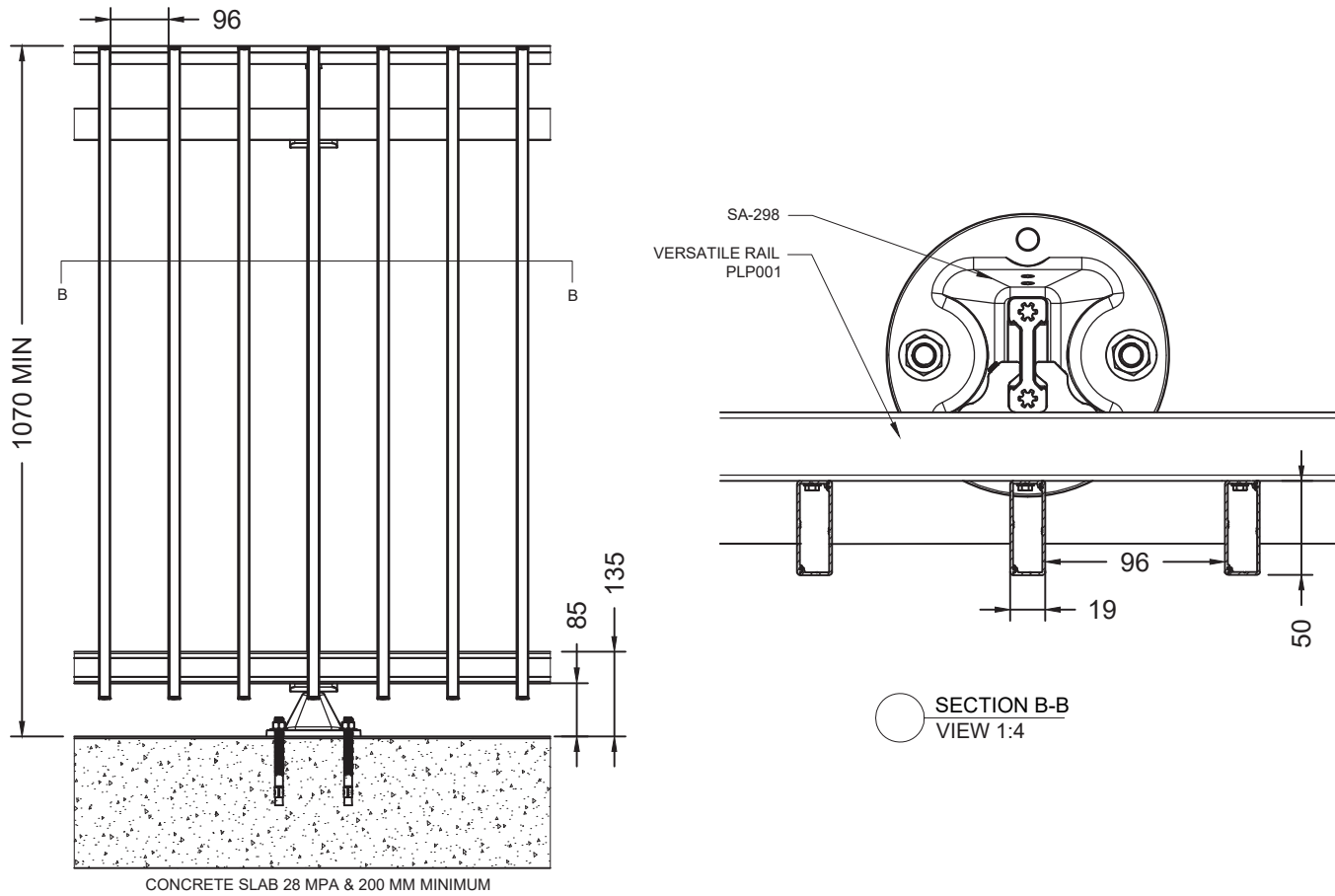


Scale : 1:10

BLADE SYSTEM MODEL - ON SLAB - ABUTMENT UNDER HANDRAIL



CHOICE OF HANDRAIL

BLADE SYSTEM MODEL - ON SLAB - ABUTMENT UNDER HANDRAIL

Scale : 1:12

SECTION D