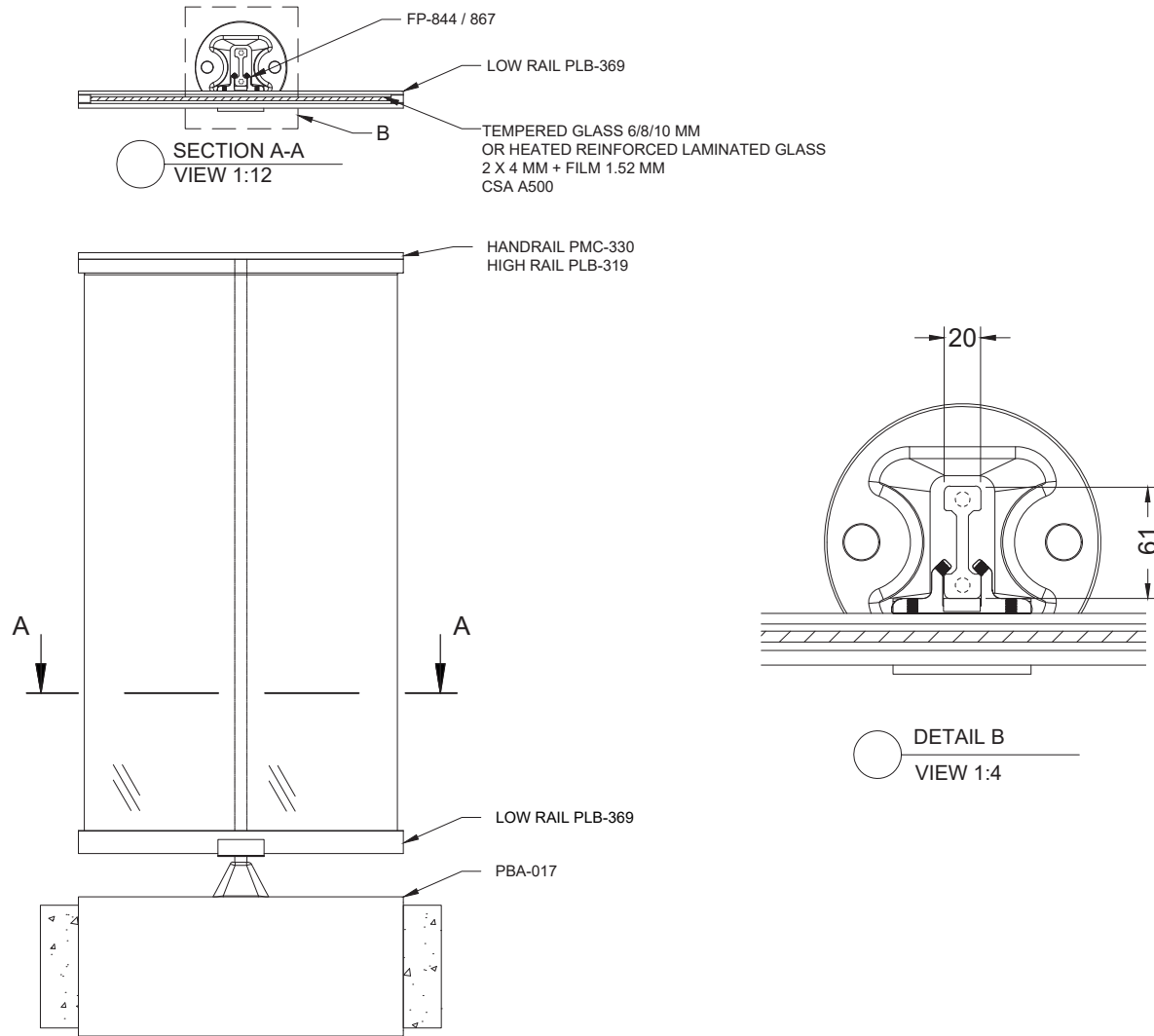
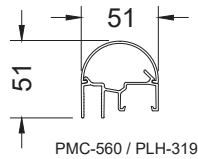
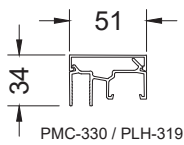


Scale : 1:8

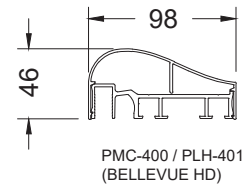
BELLEVUE MODEL - ON SLAB WITH BAND - ABUTMENT UNDER HANDRAIL



SECTION A

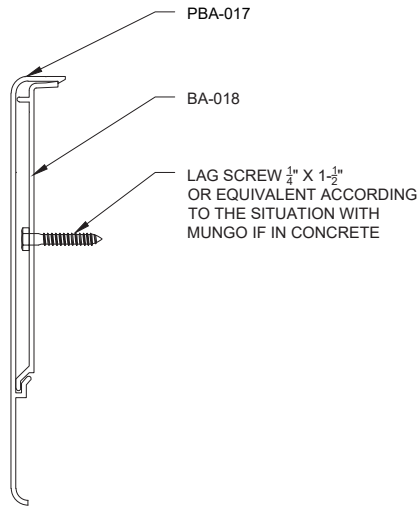


CHOICE OF HANDRAILS

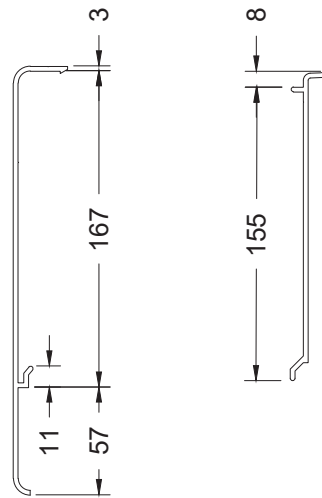


Scale : 1:12

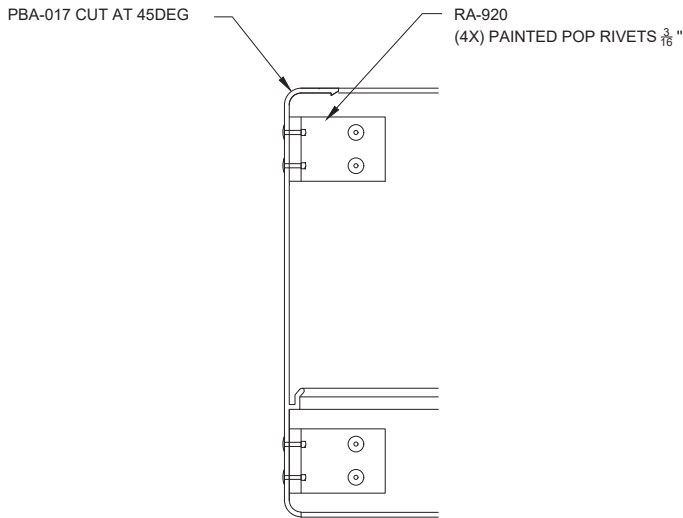
BELLEVUE MODEL - ON SLAB WITH BAND - ABUTMENT UNDER HANDRAIL



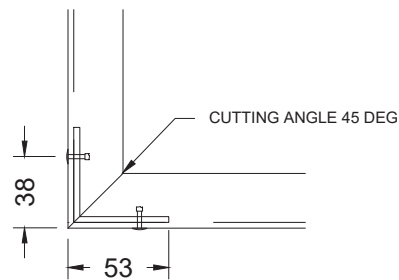
○ DETAIL PBA-017
VIEW 1:4



○ DETAIL PBA-017 SEPARATE PARTS
VIEW 1:4



○ DETAIL PBA-017 CORNER CUT AT 45 DEG
VIEW 1:4

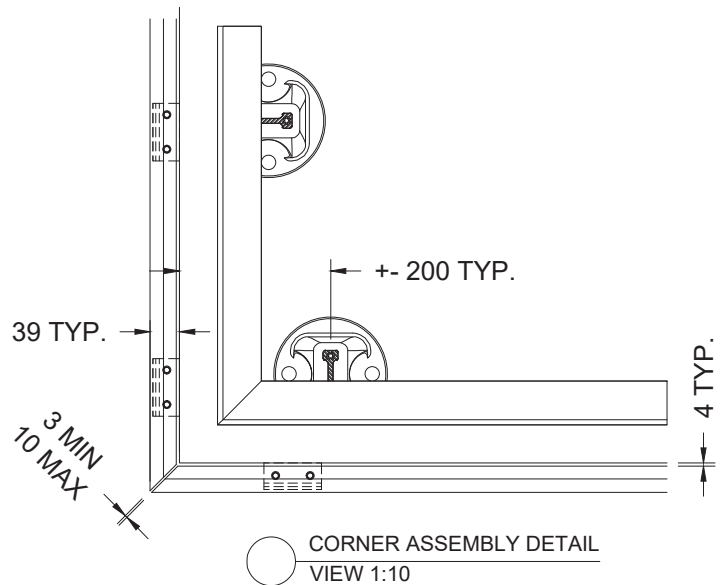
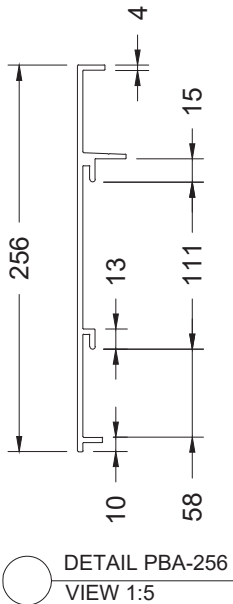
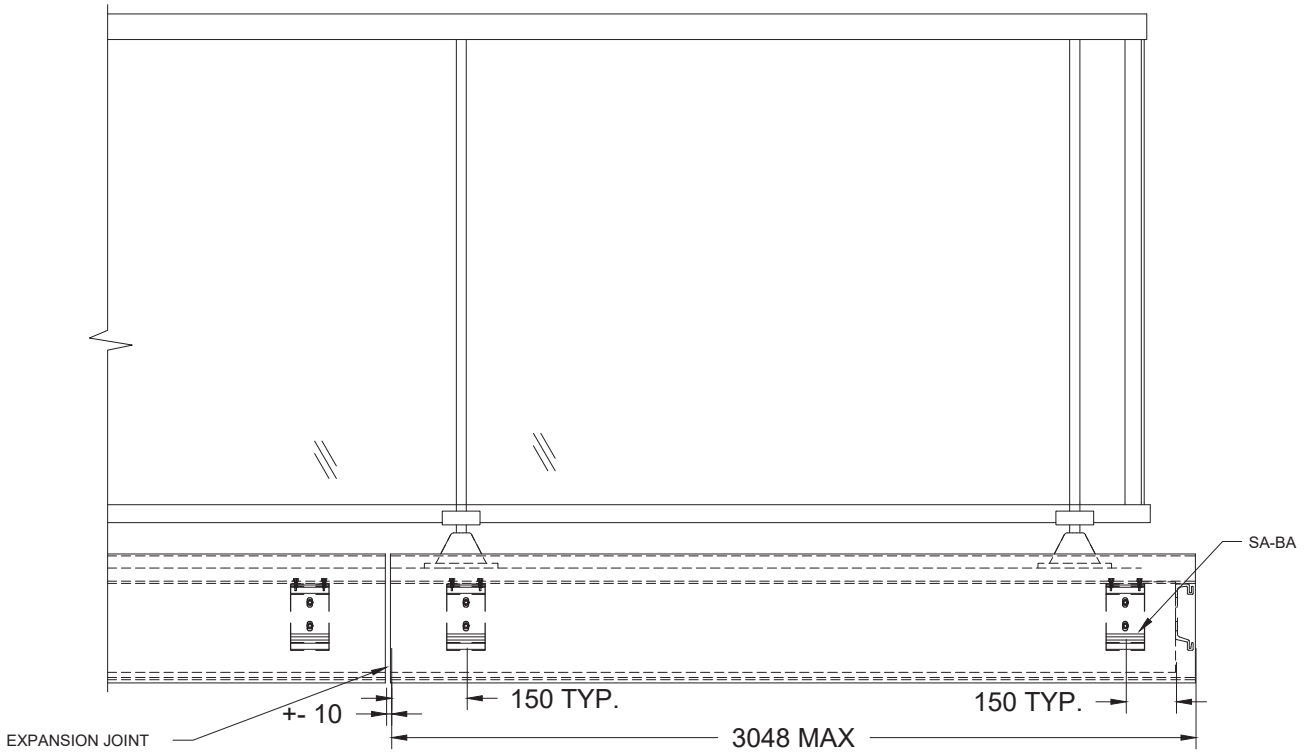


○ DETAIL PBA-017 CORNER CUT AT 45 DEG
VUE 1:4

PBA-017 BAND OPTION

BELLEVUE MODEL - ON SLAB WITH BAND - ABUTMENT UNDER HANDRAIL

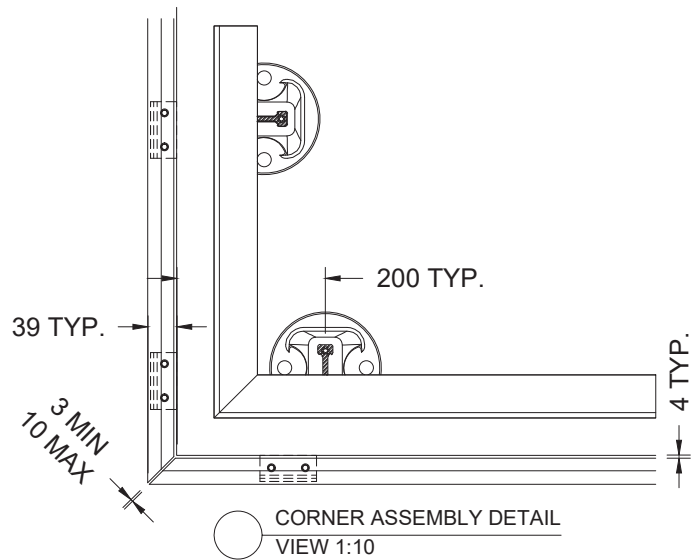
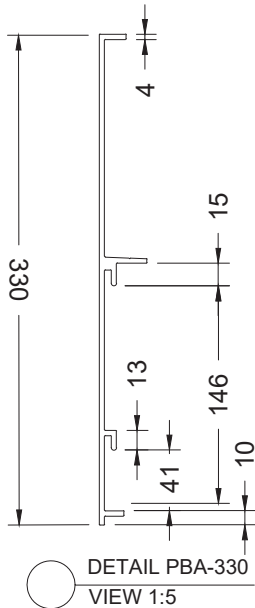
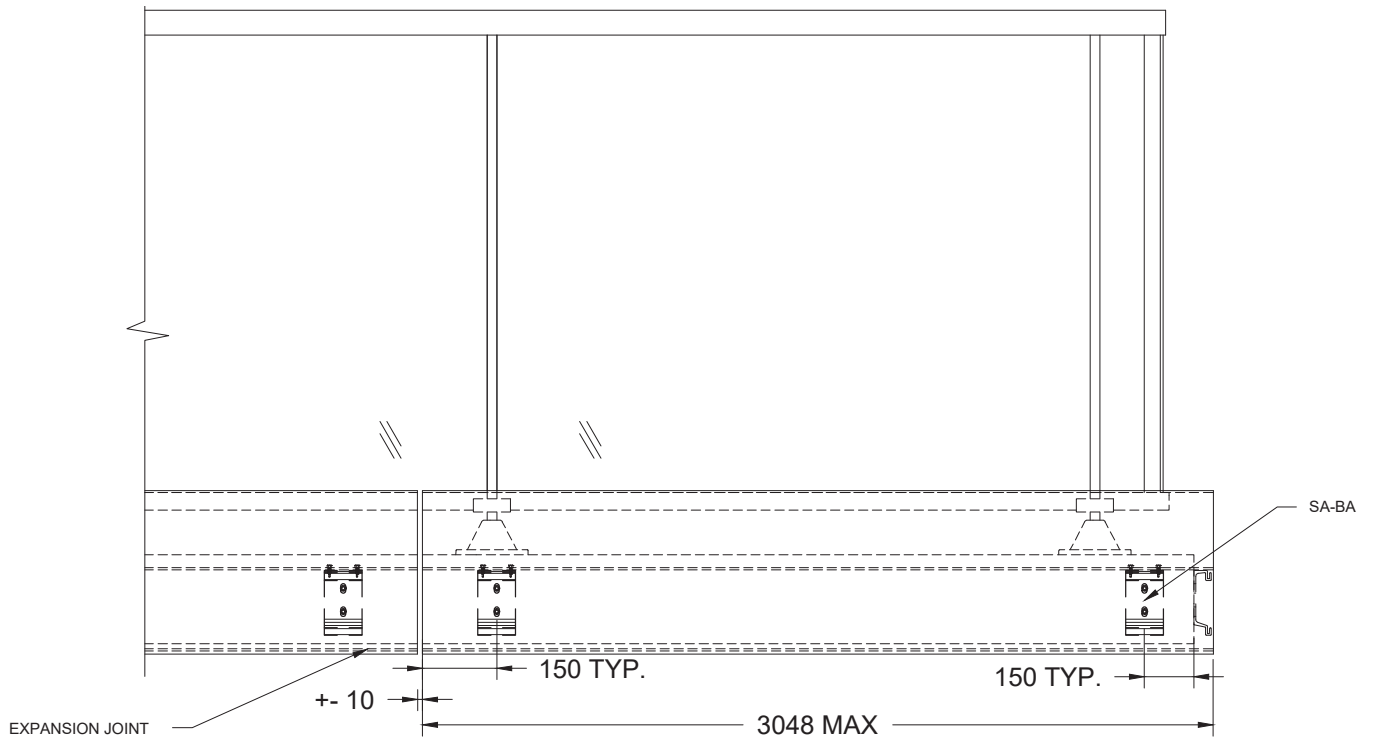
Scale : 1:4



PBA-256 BAND OPTION

Scale : 1:15

BELLEVUE MODEL - ON SLAB WITH BAND - ABUTMENT UNDER HANDRAIL



PBA-330 BAND OPTION

BELLEVUE MODEL - ON SLAB WITH BAND - ABUTMENT UNDER HANDRAIL

Scale : 1:15