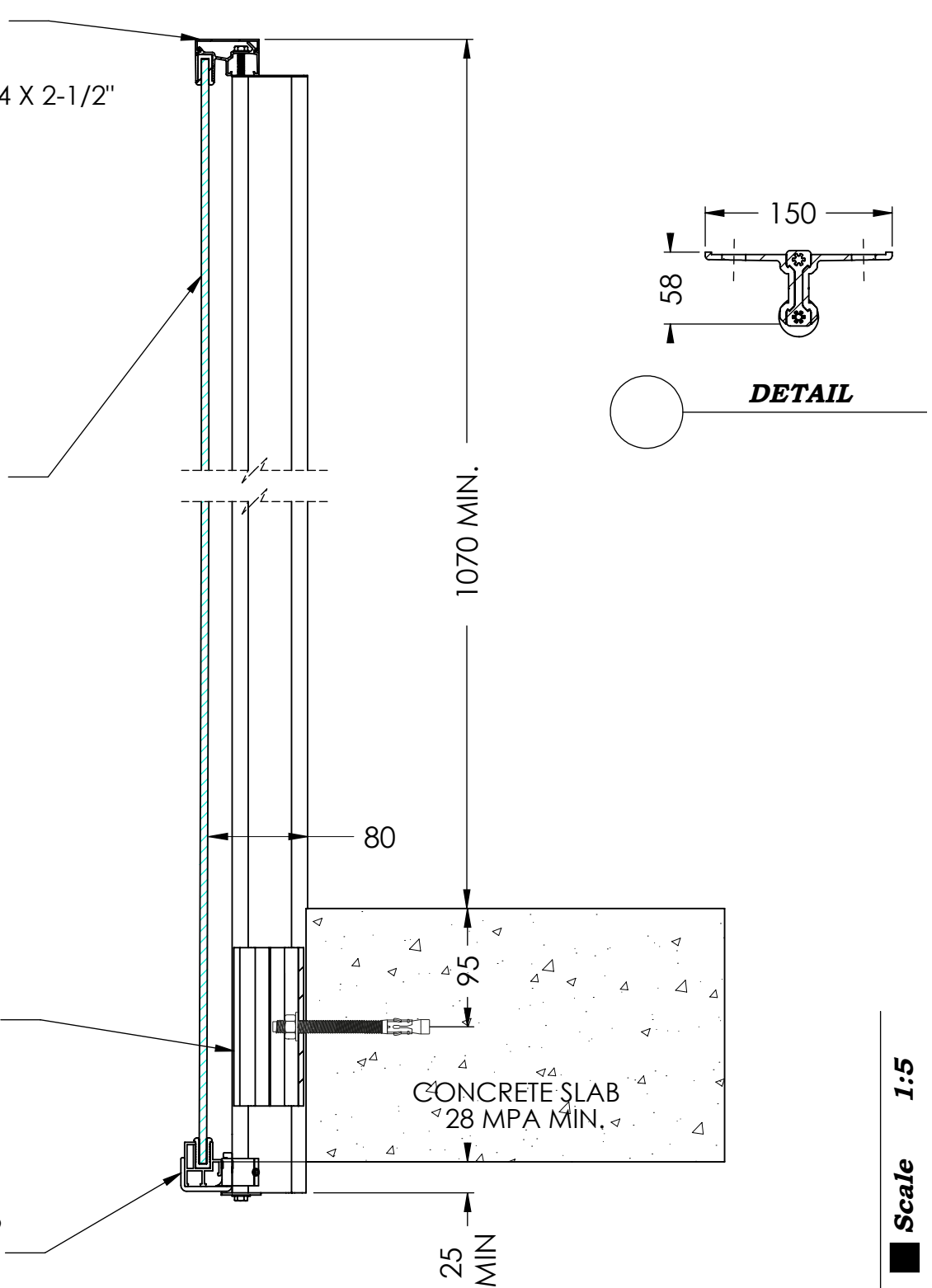


HANDRAIL PMC-330  
 TOP RAIL PLH-319  
 EM-298  
 HEX LAG SCREW #14 X 2-1/2"  
 (S.S. #304)

TEMPERED GLASS  
 6mm MIN

SA-087 (2 PER POST)  
 WEDGE ANCHOR  
 (S.S. #304)

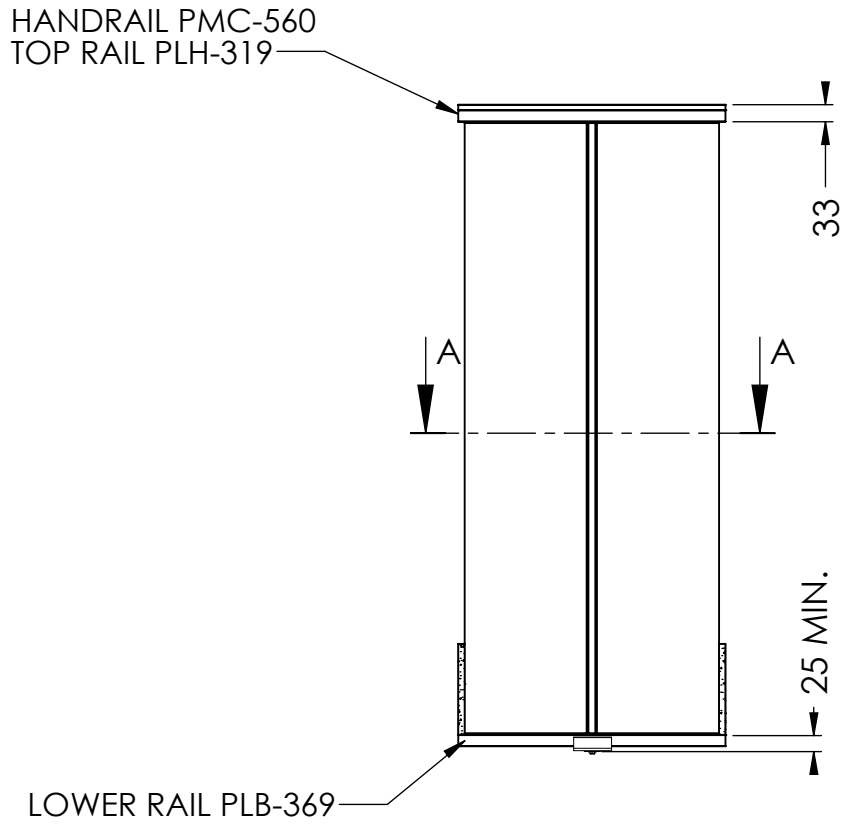
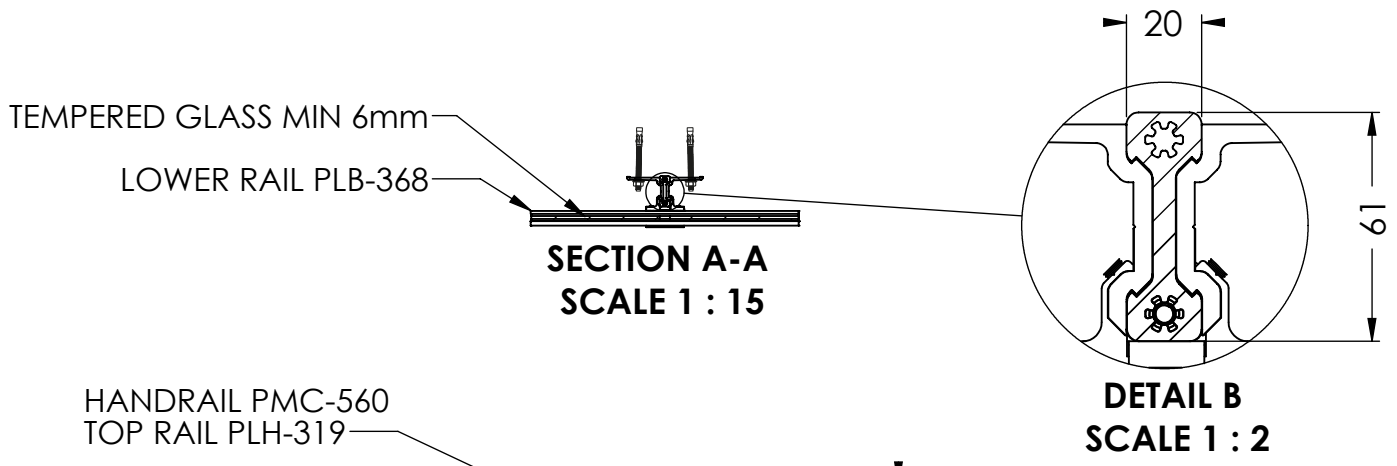
LOWER RAIL PLB-369  
 FP-844-867



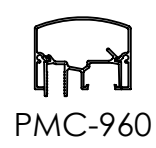
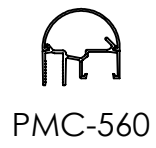
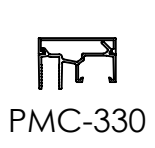
Scale 1:5

Model **Guard/Railing BELLEVUE Passing Slab (SA-087)**

**BE298-B060**



**ELEVATION**



**HANDRAILS**

Scale 1:15

**Model Guard/Railing BELLEVUE Passing Slab (SA-087)**

**PD298-BEB087**