

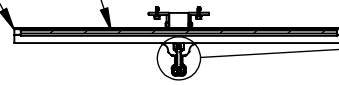
**Scale 1:5**

**Model Guard/Railling BELLEVUE Fixed on C-BEAM**

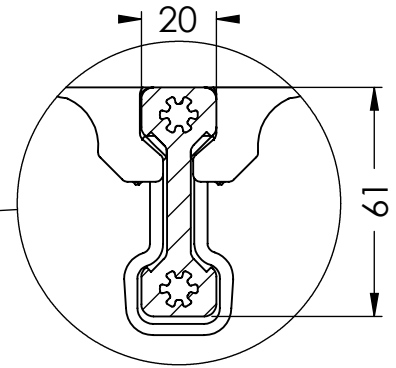
**PD298-BEB060-C**

TEMPERED GLASS MIN 6mm

LOWER RAIL PLB-366

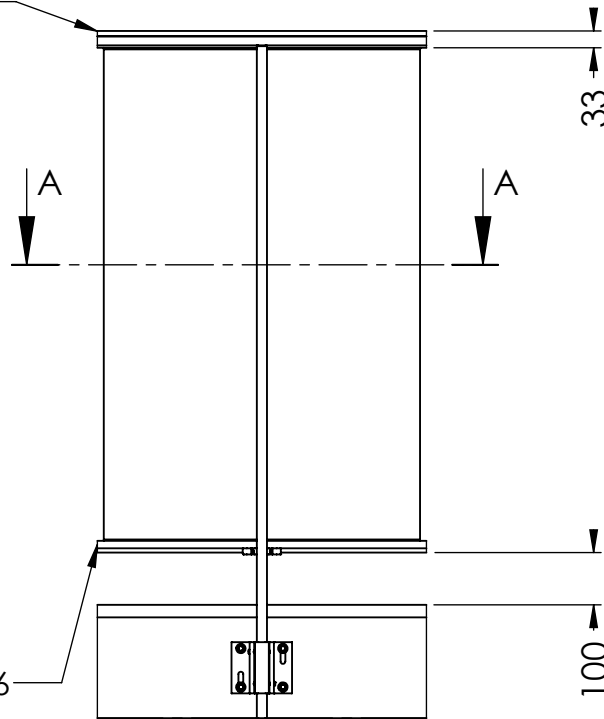


COUPE A-A  
SCALE 1 : 15



DETAIL B  
SCALE 1 : 2

HANDRAIL PMC-330  
TOP RAIL PLH-319



LOWER RAIL PLB-366

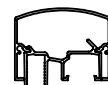
ELEVATION



PMC-330



PMC-560



PMC-960

HANDRAILS

Scale 1:15

Model **Garde-Corps BELLEVUE Fixé sur C-BEAM**

**PD298-BEB060-C**