

RAMPART

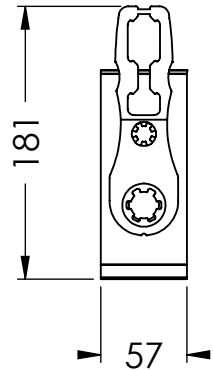
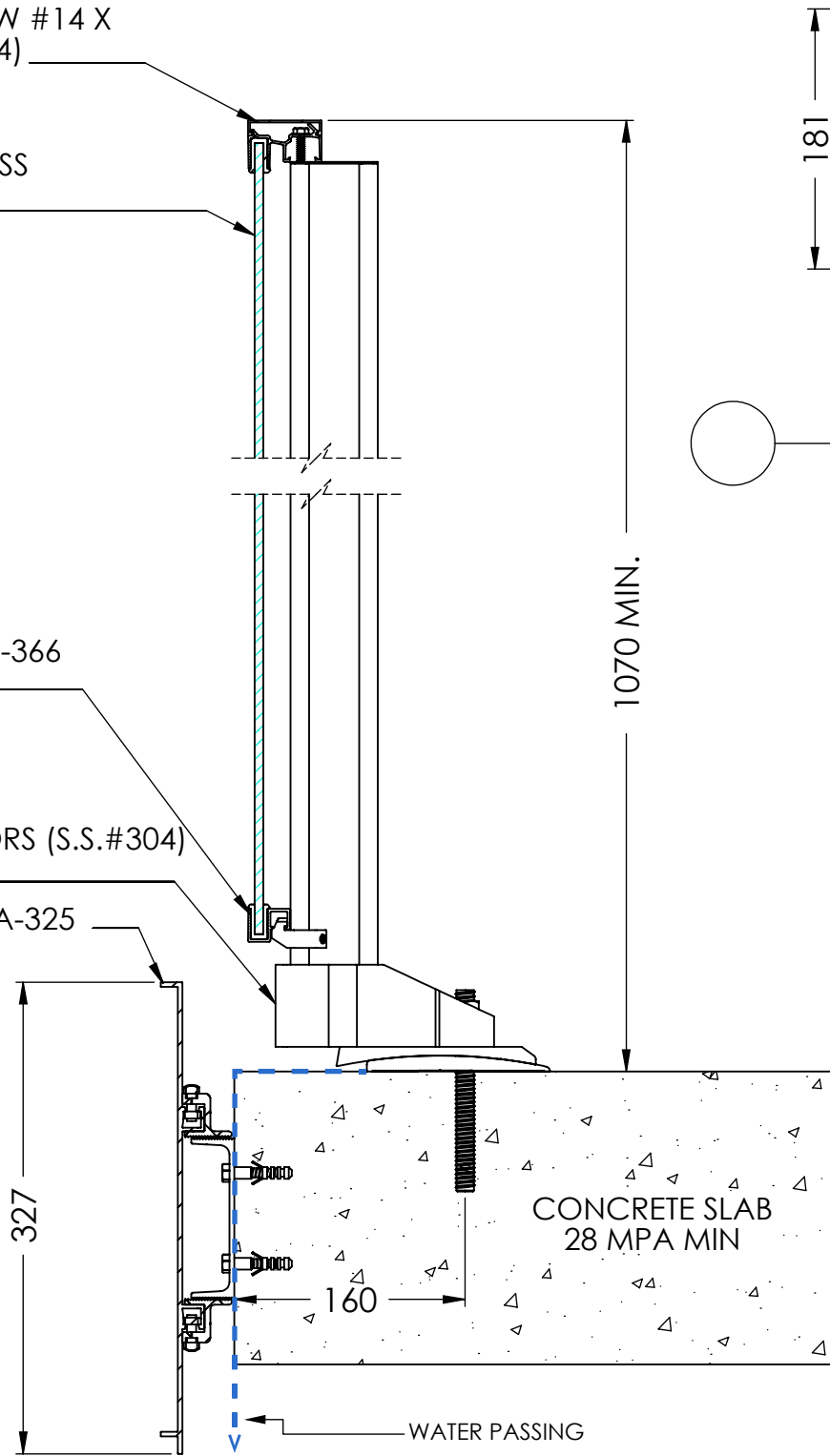
HANDRAIL PMC-330
 TOP RAIL PLH-319
 EM-298
 HEX LAG SCREW #14 X
 2-1/2" (S.S. #304)

TEMPERED GLASS
 MIN 6 mm

LOWER RAIL PLB-366
 FP-367

SHOE SA-433
 WEDGE ANCHORS (S.S.#304)
 (1 PER POST)

SLAB COVER PBA-325

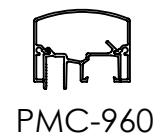
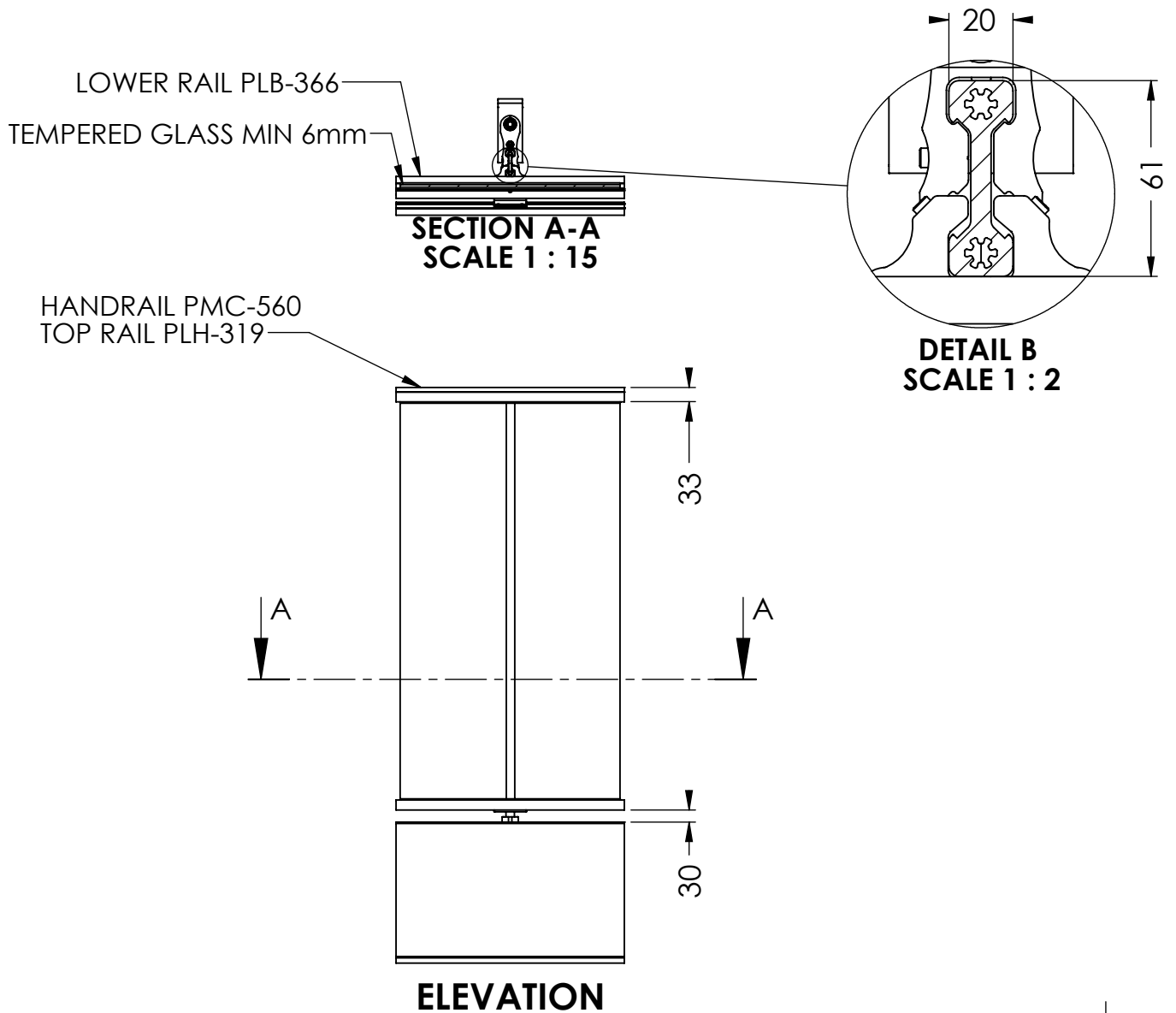


DETAIL

Scale 1:5

Model Guard/Railing BELLEVUE With Slab Cover (PBA-325)

BE298-B060



HANDRAILS

Scale 1:15

Model **Guard/Railing BELLEVUE With Slab Cover (PBA-325)**

BE298-PBA325