

HANDRAIL PMC-330
 TOP RAIL PLH-319
 EM-298
 HEX LAG SCREW #14 x 2-1/2"
 (S.S. #304)

TEMPERED GLASS
 6mm MIN

LOWER RAIL PLB-366
 FP-367

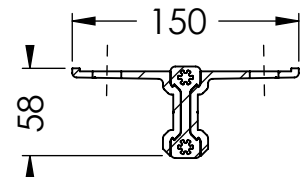
SA-087 (2 PER POST)
 WEDGE ANCHOR
 (S.S. #304)

25 MIN

1070 MIN

95

CONCRETE SLAB
 28 MPA MIN



DETAIL

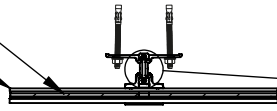
Scale 1:5

Model **Guard/Railing BELLEVUE SA-087**

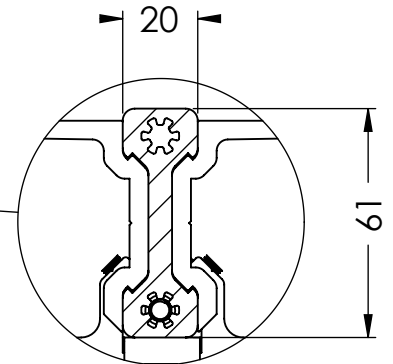
BE298-B087

TEMPERED GLASS MIN 6mm

LOWER RAIL PLB-366

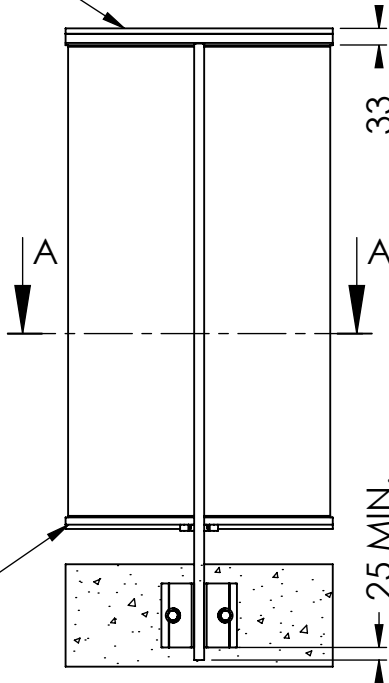


**SECTION A-A
SCALE 1 : 15**



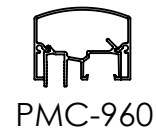
**DETAIL A
SCALE 1 : 2**

HANDRAIL PMC-330
TOP RAIL PLH-319



ELEVATION

LOWER RAIL PLB-366



HANDRAILS

Scale 1:15

Model **Guard/Railing BELLEVUE SA-087**

BE298-B087